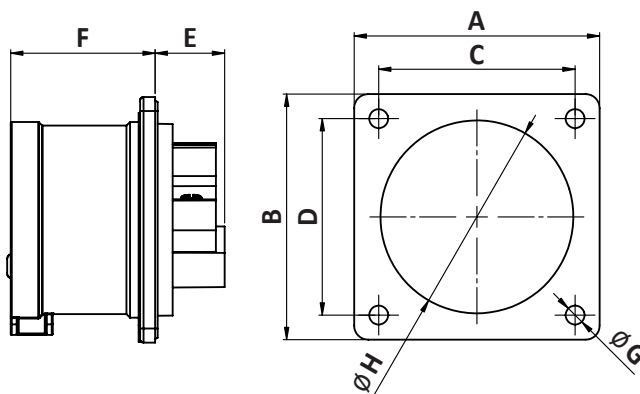


POWtec CEE Appliance Inlet, Straight IP44



- Splash-proof, IP44
- Screw terminals
- Brass contacts
- With 60 x 60mm Flange



Maximum Conductor Cross-section		
Current Rating	Flexible	Solid
16A	4mm ²	6mm ²

Voltage		230 V~
Frequency		50/60 Hz
Designation		3p = 6h 4p/5p = 9h
Current	Poles	Part No.
16A	3	POWtecP-316B-P344

Dimensions (mm)	
Poles	3
Current	16A
A and B	60
C and D	50
E	21
F	42
G	4.5
H	43
Weight (g)	78